




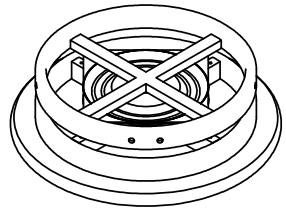
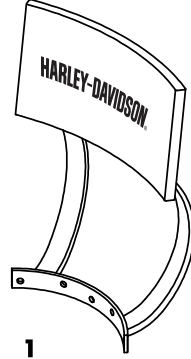
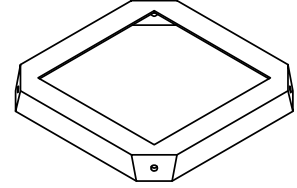

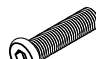


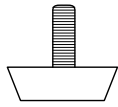
H-D™ BAR & SHIELD WOOD BACKREST BAR STOOL ASSEMBLY INSTRUCTIONS

Thank You for your purchase of a Harley-Davidson® Wood Backrest Bar Stool. The utmost care has gone into the design & manufacturing of this product.



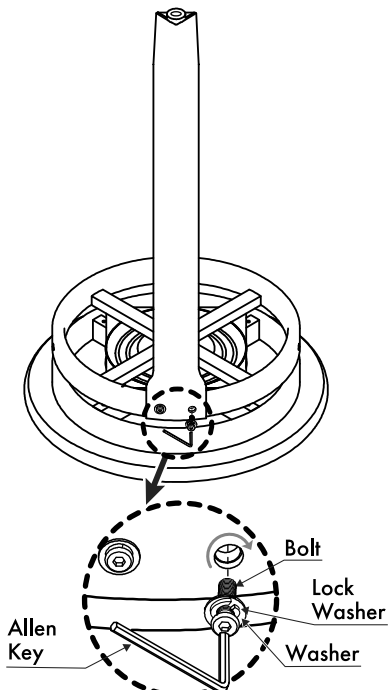
HARLEY, HARLEY-DAVIDSON and the Bar & Shield Design are among the trademarks of H-D U.S.A., LLC ©2017 H-D and its Affiliates. All Rights Reserved. Ace Product Management Group, Inc. is a licensee of Harley-Davidson Motor Company.

PARTS LIST

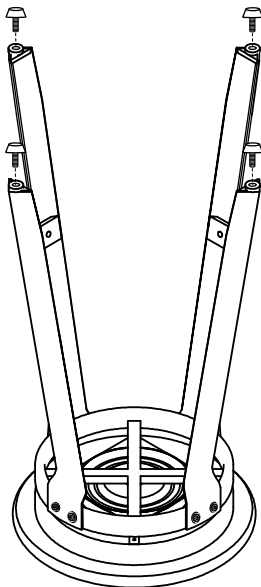
								
4 Legs	1 Seat Top	1 Backrest	1 Footrest	1 Allen Key	17 Bolts	17 Lock Washers	17 Washers	4 Adjustable Feet

Warranty:

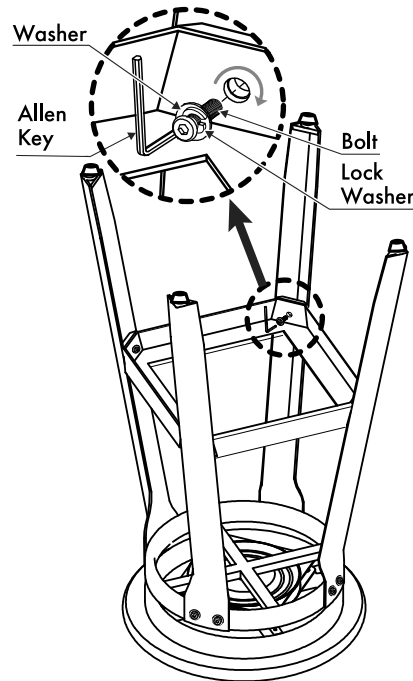
Free replacement of any part that fails within 90 days from date of purchase, excluding shipping costs. Void if damaged by misuse, accidents, alterations, failure to follow instructions, fire, flood, and acts of God.



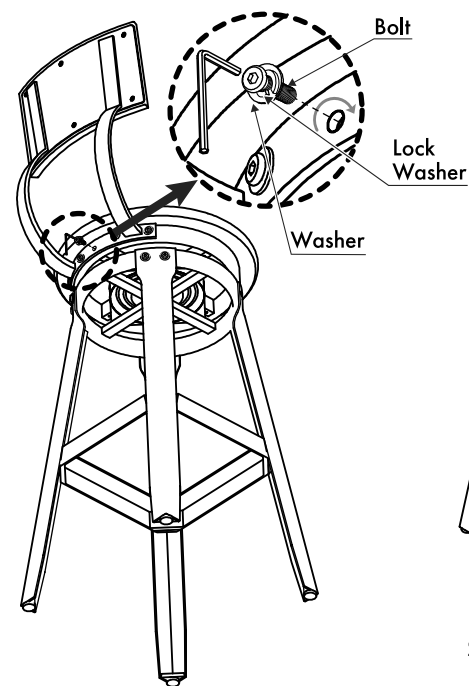
Attach legs to swivel.



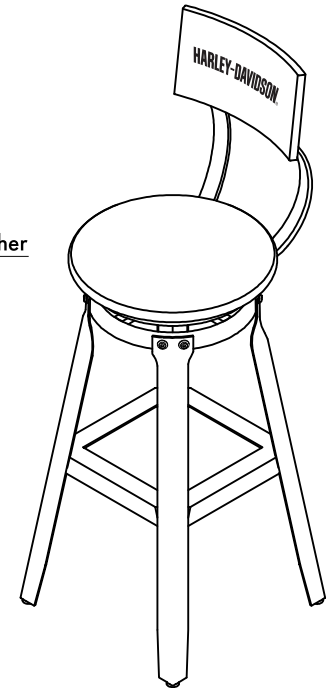
Loosely tighten legs using Allen Key. Screw in adjustable feet.



Attach footrest and tighten bolts.



Attach backrest to seat and tighten bolts



Secure ALL bolts, adjust feet and enjoy!