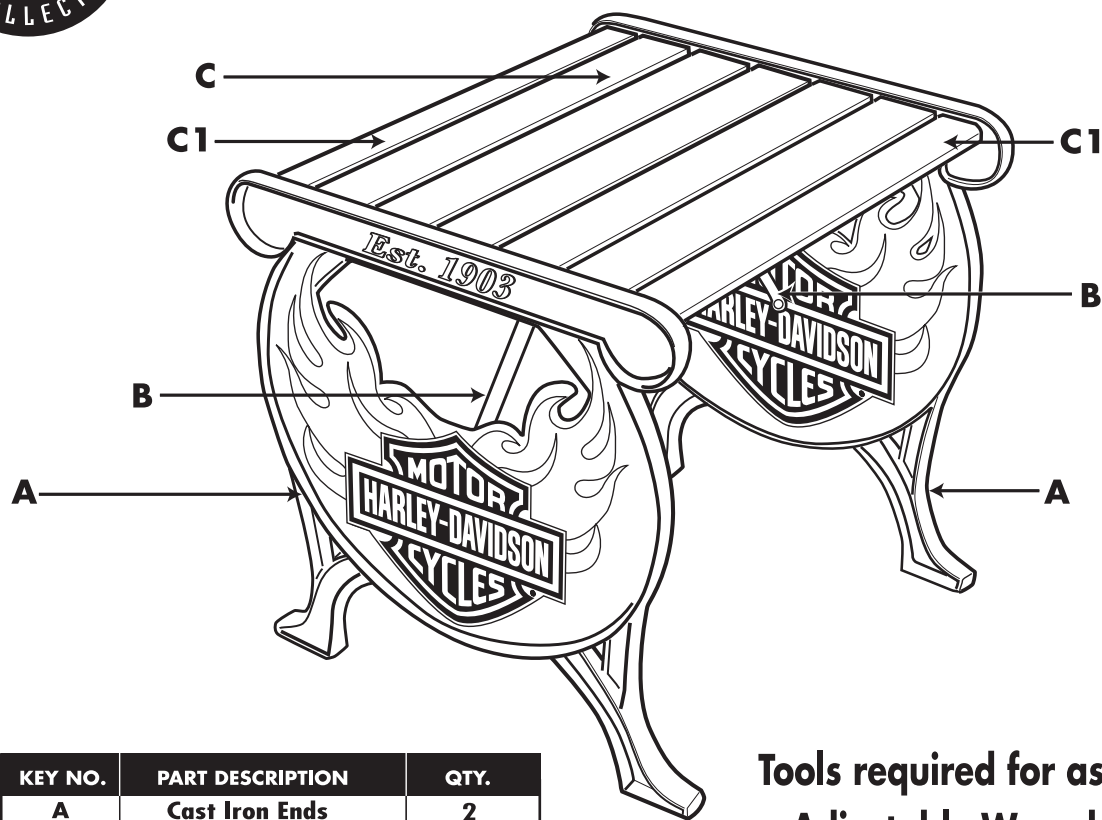




# Outdoor Table (Small) Assembly Instructions



KEY NO.	PART DESCRIPTION	QTY.
A	Cast Iron Ends	2
B	Side Support Brackets	2
C	Wood Slats	5
C1	Curve Wood Slats	2
D	Hex Head Bolt	14
E	Flat Washer	18
F	Nut	18
G	Phillips Head Bolt	2
H	Wood Screw	2
I	Lock Washer	14

Tools required for assembly are:

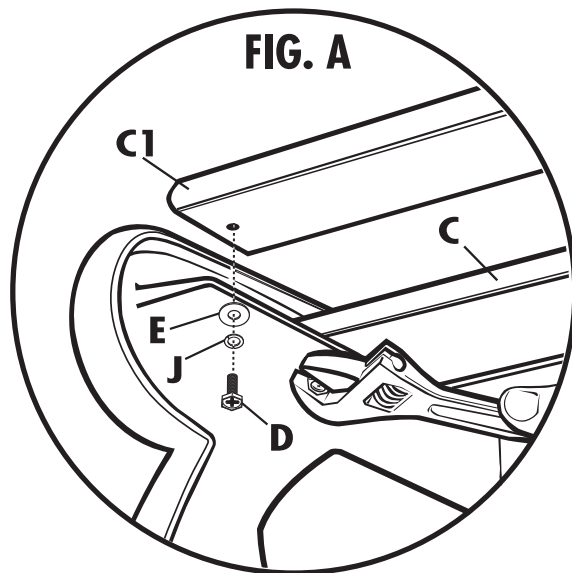
- Adjustable Wrench
- Phillips Head Screwdriver
- Power Drill with 3/32" Drill Bit

**STEP 1:** Place all parts on a soft, clean surface.

**STEP 2:** Locate all Hex Head Bolts (D), Lock Washers (J) Flat Washers (E) and the five Wood Slats (C) with two Cast Iron Ends (A). See FIG. A.

**STEP 3:** Put each Wood Slat (C) on inside tracks of Cast Iron Ends (A). Locate Wood Slats C1 (narrow slat with rounded edge) Position the slats C1 at each end with the rounded edge facing outward. Do not fully tighten. See FIG. A.

**STEP 4:** You should have all Hex Head Bolts lightly secured. Make sure table stands exactly straight, adjust spaces between slats for even spacing and then securely tighten all Hex Head Bolts. See FIG. A.



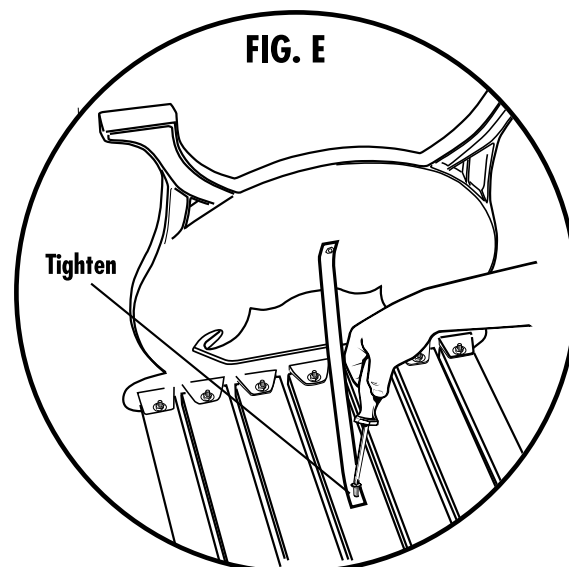
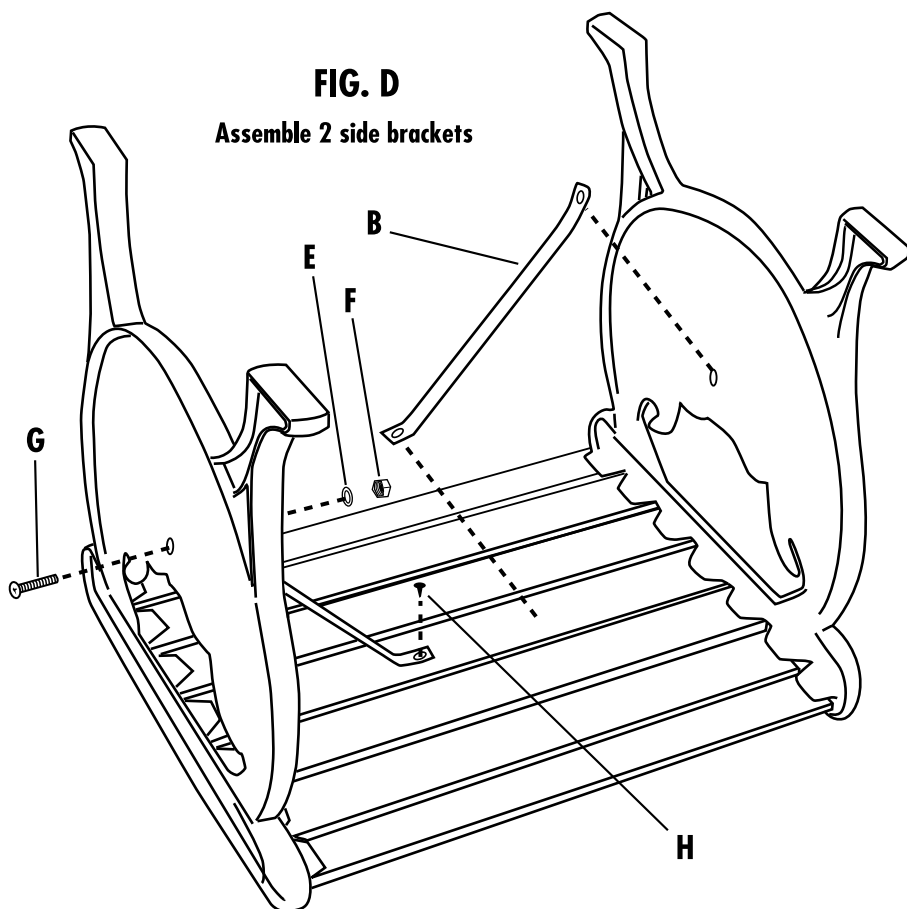
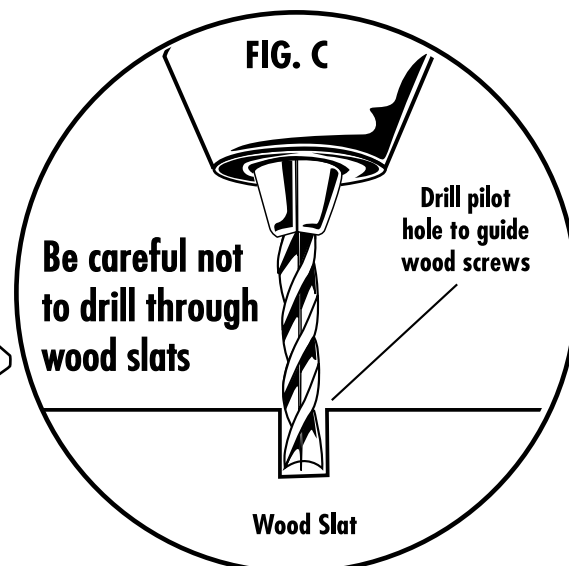
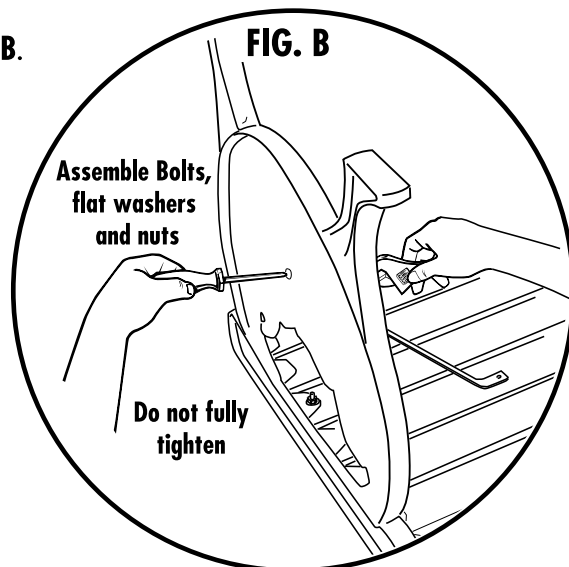
**STEP 5:** Turn your table upside down on a smooth clean surface. See FIG. B.

**STEP 6:** You are now ready to assemble the 2 side support brackets provided with Phillips Head Bolt (G), Flat Washer (E) and Nut (F). Do not fully tighten. See FIG. D.

**STEP 7:** Making sure the cast iron ends are exactly straight, mark and drill pilot hole in center wood slat using a 3/32" drill bit. (**IMPORTANT: When drilling pilot holes, be extra careful not drill through wood slat.**) Drilling a pilot hole avoids splitting the wood and guides the wood screws. See FIG. C.

**STEP 8:** Do the opposite end the same way. Then fully tighten all nuts, bolts and screws. See FIG. E.

**STEP 9:** Turn your table right side up, enjoy!



# Component Maintenance

## For Iron Components:

The iron components for outdoor furniture are coated with rust inhibiting paint that protects it from rusting. However, due to the nature of iron, surface oxidation (rusting) will occur once these protective coatings are scratched. This is a natural process and is not a defect! To minimize this condition, we recommend care when assembling and handling the product to prevent scratching the paint. Should any scratching or damage occur, we recommend immediate touch-up with rust inhibiting paint, which is readily available from any hardware store. Surface rust can also be easily removed with a very light application of common cooking oil. If surface oxidation (rusting) occurs and if no measure is taken to prevent this, the oxidation may start dripping on deck or patio and cause damaging stains, which may be difficult to remove. This can be prevented if measures are taken to keep the product from oxidizing.

## For Wood Components:

The wood slats are covered with a clear protective coating that may show signs of light peeling which is normal and can be sanded off. Periodic application of wood preservative or water sealer is recommended to keep your wood slats looking new and to prevent weathering. Constant exposure to sunlight and outdoor elements will cause rapid deterioration of any wood finish. Frequent application of wood preservative may be necessary.

## Warranty:

Free replacement of any part that fails within one year from day of manufacture, excluding shipping costs. Void if damaged by misuse, accidents, alterations, failure to follow instructions, fire, flood, and acts of God.

If you have any questions or comments, please contact us at:

**BrandedProducts.com**



Ace Product Management Group, Inc. Milwaukee, WI U.S.A  
Manufactured under license from Harley-Davidson Motor Co.  
© 2006 All Rights Reserved.

