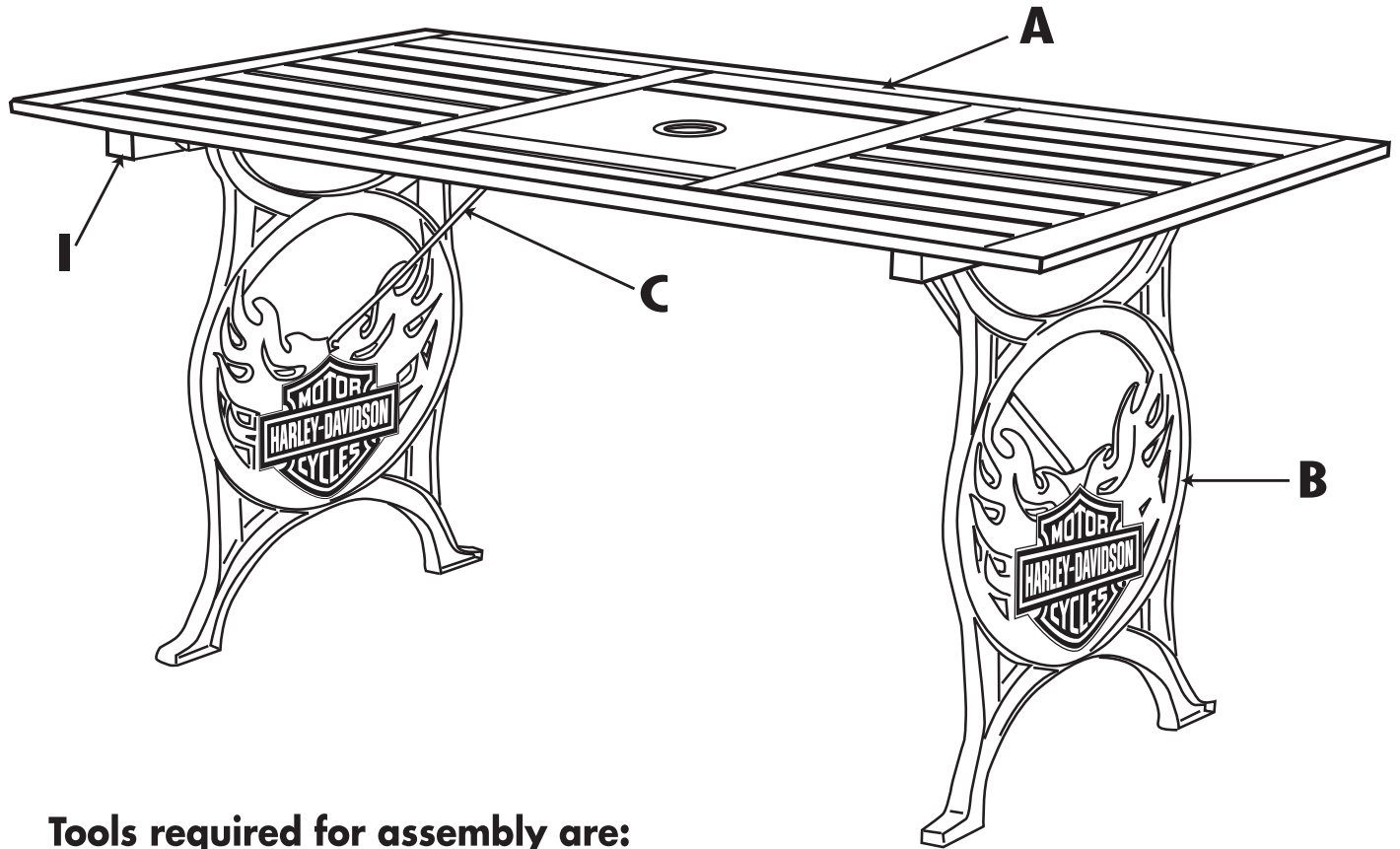




Outdoor Picnic Table Assembly Instructions

V01



Tools required for assembly are:

- Adjustable Wrench
- Phillips Head Screwdriver
- Power Drill with 3/32" Drill Bit

Congratulations on your purchase of a Harley-Davidson® Outdoor Picnic Table. The utmost care has gone into the design and manufacturing of this product.

Please read these instructions carefully.

KEY	PART DESCRIPTION	QTY.
A	Table Top w/ Cast Iron Inset	1
B	Cast Iron Ends	2
C	Side Support Brackets	2
D	Large Hex Head Bolts (L=2.16")	4
E	Round Head Bolts (L=.79")	2
F	Wood Screws	2
G	Large Machine Nuts	4
H	Small Machine Nuts	2
I	Wooden Support Slats	2
J	Small Hex Head Bolts (L=1.93")	4
K	Flat Washers	10
L	Large Metal Caps	4
M	Small Metal Caps	2

STEP 1: Place the picnic table top (A) upside down on a soft, clean surface.

STEP 2: Bolt wooden support slats (I) to picnic table top (A) with small hex head bolts (J) and flat washers (K). See FIG. A.

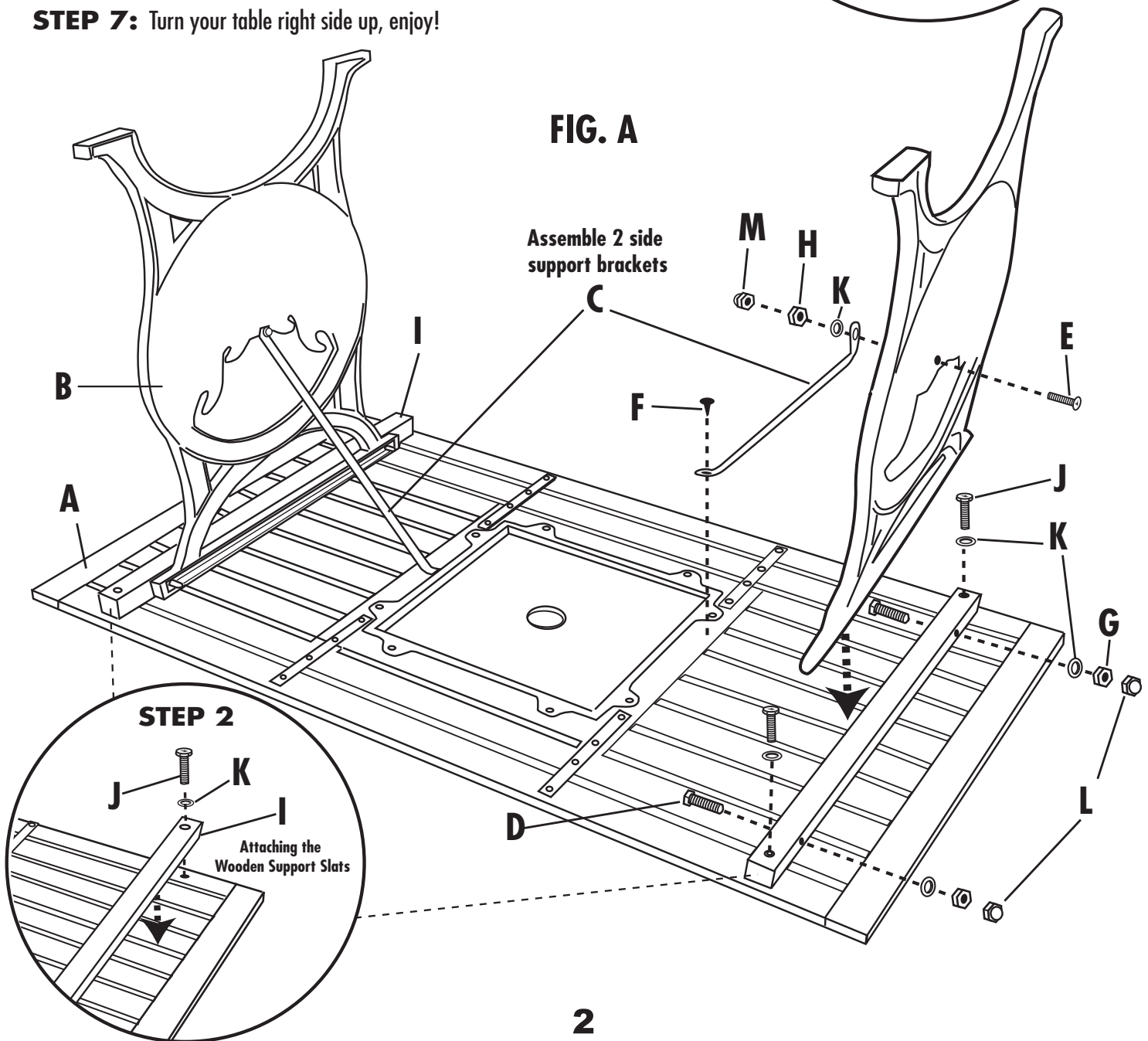
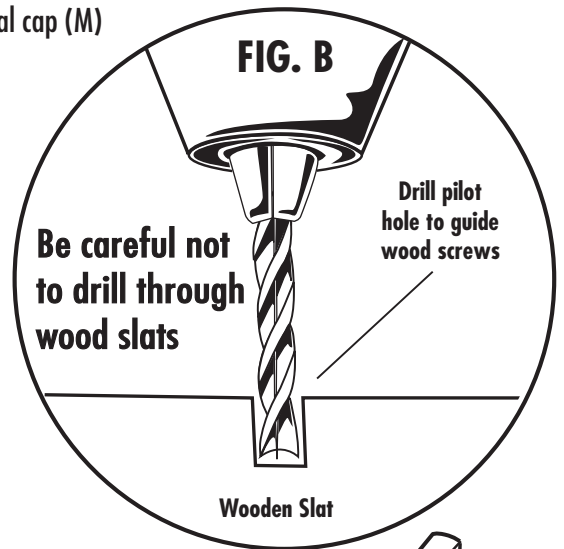
STEP 3: Align the holes of the wooden support slat (I) and the cast iron end (B) so the flat side rests against the inside of the wooden support slat. Attach the cast iron ends (B) to the slats (I) using large hex head bolts (D), flat washers (K), large machine nuts (G), and large metal caps (L). See FIG. A.

STEP 4: You are now ready to assemble the 2 side support brackets (C) provided with round head bolt (E), flat washers (K), small machine nut (H) and small metal cap (M) to cast iron frame ends (B). Do not fully tighten. See FIG. A.

STEP 5: Making sure the cast iron ends are exactly straight, mark and drill pilot hole in center wood slat using a 3/32" drill bit. (**IMPORTANT: When drilling pilot holes, be extra careful to not drill through wood slat**). Drilling a pilot hole avoids splitting the wood and guides the wood screws (F). See FIG. B.

STEP 6: Do the opposite end the same way. Then fully tighten all nuts, bolts, metal caps and screws See FIG. A.

STEP 7: Turn your table right side up, enjoy!



Component Maintenance

For Iron Components:

The iron components for outdoor furniture are coated with rust inhibiting paint that protects it from rusting. However, due to the nature of iron, surface oxidation (rusting) will occur once these protective coatings are scratched. This is a natural process and is not a defect! To minimize this condition, we recommend care when assembling and handling the product to prevent scratching the paint. Should any scratching or damage occur, we recommend immediate touch-up with rust inhibiting paint, which is readily available from any hardware store. Surface rust can also be easily removed with a very light application of common cooking oil. If surface oxidation (rusting) occurs and if no measure is taken to prevent this, the oxidation may start dripping on deck or patio and cause damaging stains, which may be difficult to remove. This can be prevented if measures are taken to keep the product from oxidizing.

For Wood Components:

The wood slats are covered with a clear protective coating that may show signs of light peeling which is normal and can be sanded off. Periodic application of wood preservative or water sealer is recommended to keep your wood slats looking new and to prevent weathering. Constant exposure to sunlight and outdoor elements will cause rapid deterioration of any wood finish. Frequent application of wood preservative may be necessary.

Warranty:

Free replacement of any part that fails within one year from day of manufacture, excluding shipping costs. Void if damaged by misuse, accidents, alterations, failure to follow instructions, fire, flood, and acts of God.

If you have any questions or comments, please contact us at:

BrandedProducts.com



Ace Product Management Group, Inc. Milwaukee, WI U.S.A
Manufactured under license from Harley-Davidson Motor Co.
© 2006 All Rights Reserved.

