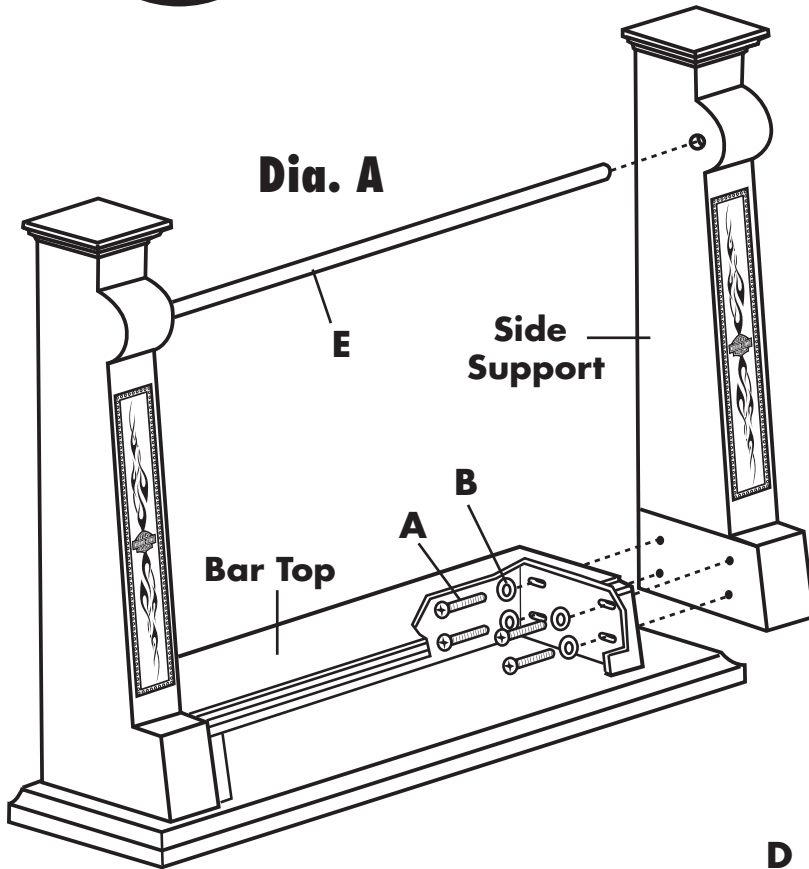


WALL MOUNT BAR Assembly Instructions

Congratulations on your purchase of a Harley-Davidson® Wall Mount Bar. The utmost care has gone into the design and manufacturing of this product.

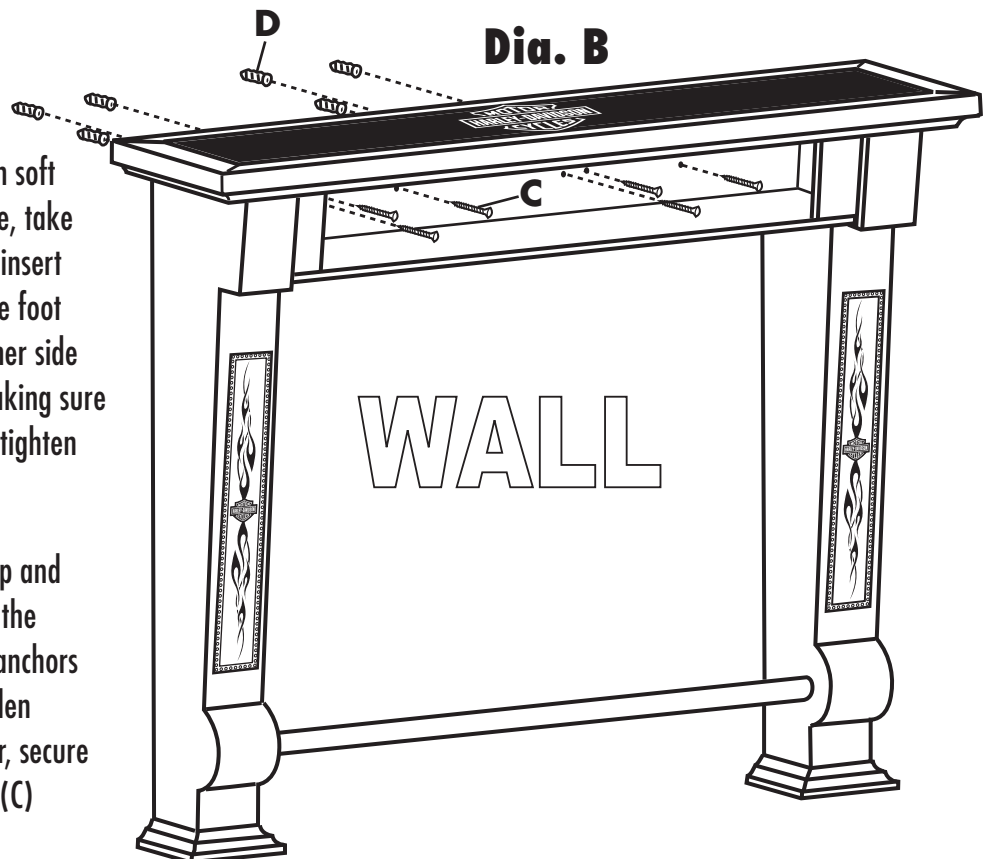
Please read these instructions carefully.



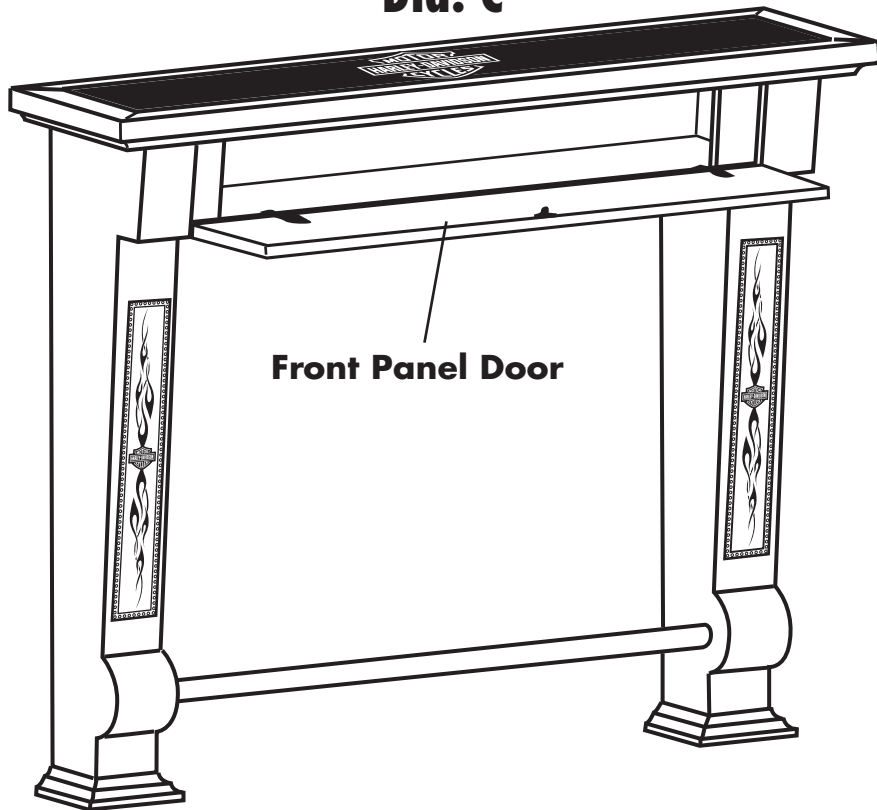
Parts List		
Part	Qty.	Description
A	8	Flanged Bolt
B	8	Washer
C	6	Wood Screw
D	6	Plastic Anchor
E	1	Foot Rail

STEP 1: Place the bar top upside down on soft clean surface. Working on one side at a time, take the side support and align holes to bar top, insert flanged bolts (A) and washers (B). Insert the foot rail (E) into place and align holes on the other side support (as shown in Diagram A above). Making sure the side supports are straight, you can now tighten all flange bolts (A).

STEP 2: Turn Wall Mount Bar right side up and position it on your wall space. Drill holes at the locations you marked, Install all six plastic anchors (D) and carefully tap into place with a wooden mallet. Realign holes on and wall mount bar, secure into wall using all six supplied wood screws (C) (as shown in Diagram B on right.)



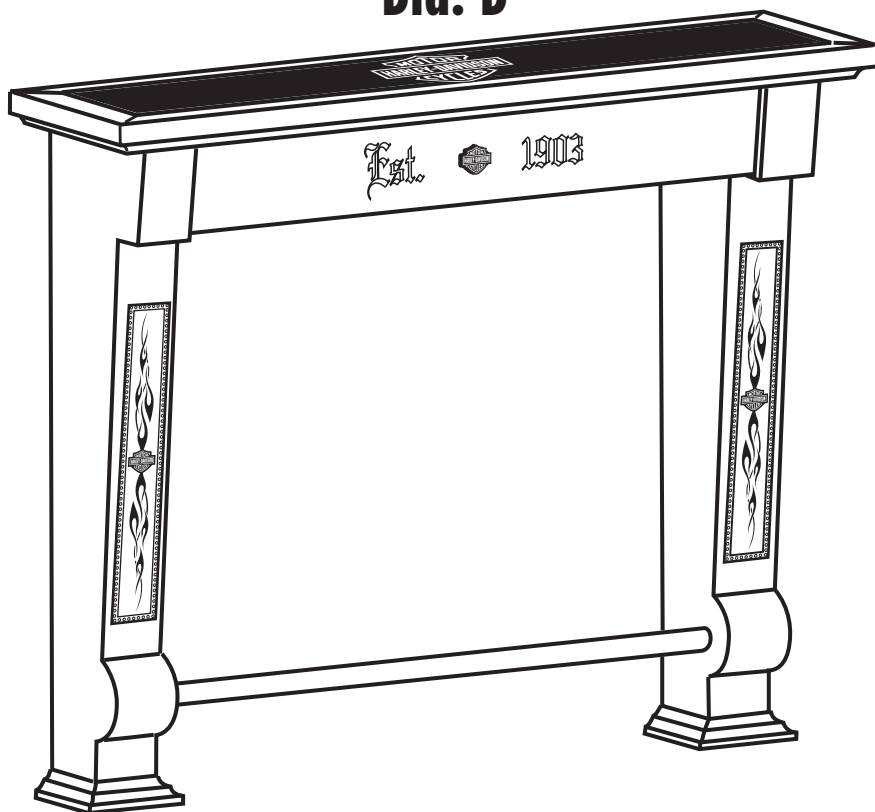
Dia. C



STEP 3: When your Wall Mount Bar is secured to the wall, then attach the hinged front panel door, using the supplied hardware.

STEP 4: Close front panel door and enjoy.

Dia. D



WARRANTY:

Free replacement of any part that fails within one year from day of manufacture, excluding shipping costs. Void if damaged by misuse, accidents, alterations, failure to follow instructions, fire, flood, and acts of God.

If you have any questions or comments, please contact us at:

BrandedProducts.com



Ace Product Management Group, Inc. Milwaukee, WI U.S.A.
Manufactured under license from Harley-Davidson Motor Co.
© 2008 All Rights Reserved.

Ace Product Management Group, Inc.
Milwaukee, WI U.S.A.