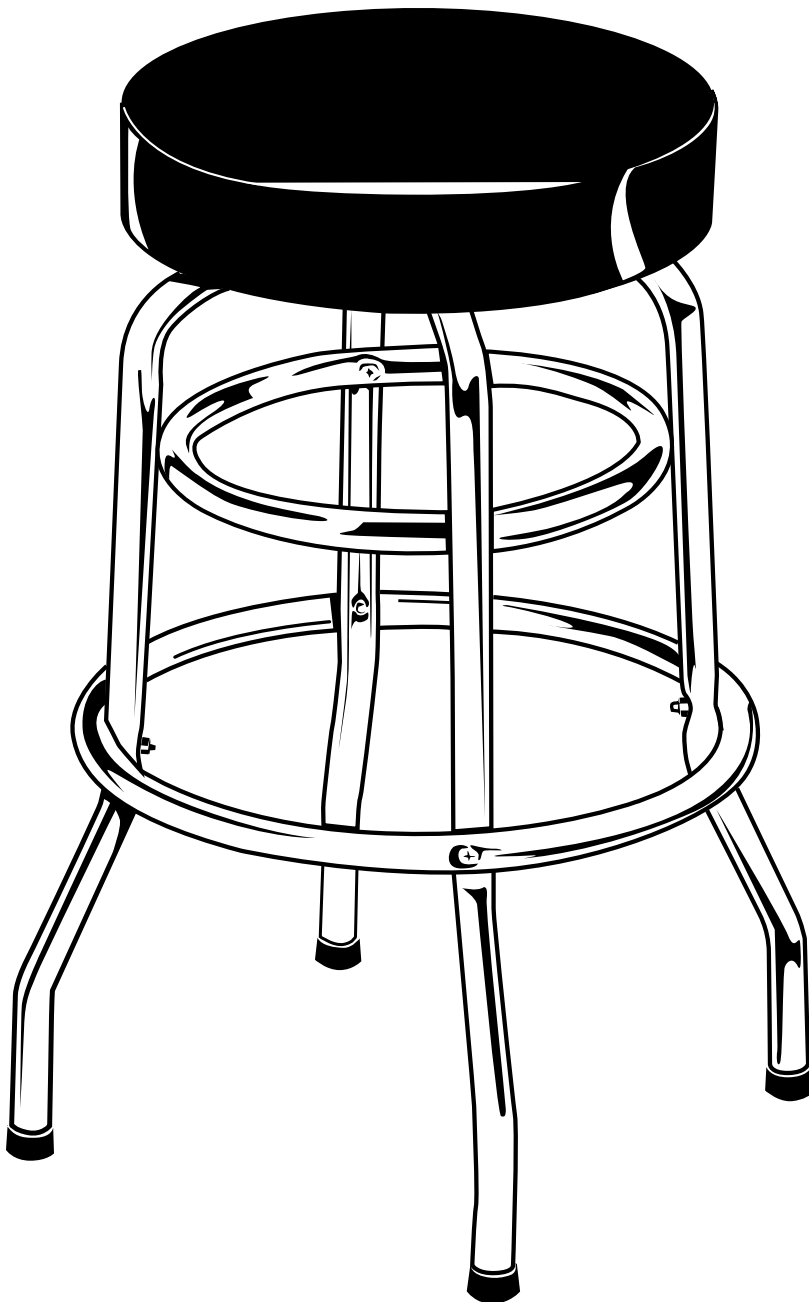


TWO RING BAR STOOL ASSEMBLY INSTRUCTIONS

Tools Required:

Phillips-Head Screwdriver

10mm Socket or Adjustable Wrench





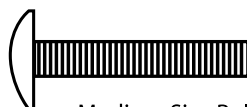
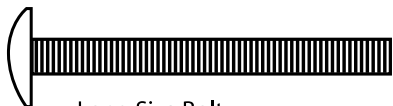
PARTS LIST

Qty	Description and Size
1	Thick Foam Padded Seat
1	Swivel (with top & bottom offset)
1	Chrome Plated TOP Leg with Glides
1	Chrome Plated BOTTOM Leg with Glides
1	Large Chrome Plated Ring
1	Small Chrome Plated Ring

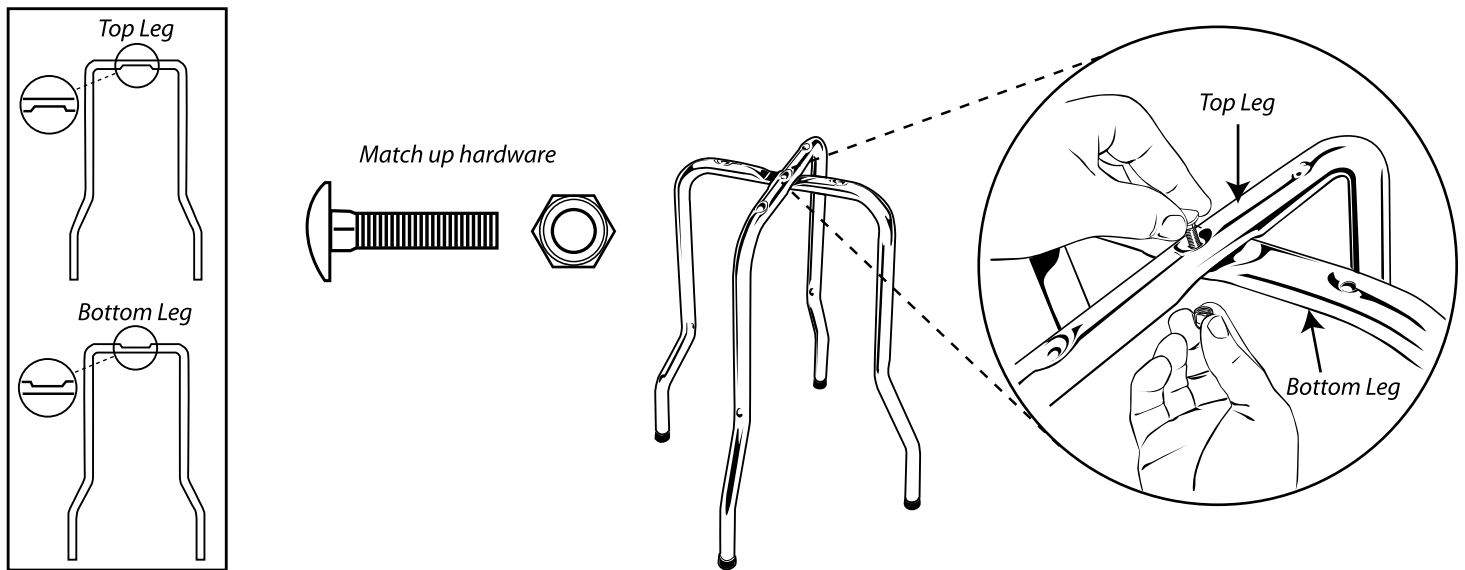
HARDWARE LIST

ACTUAL SIZE

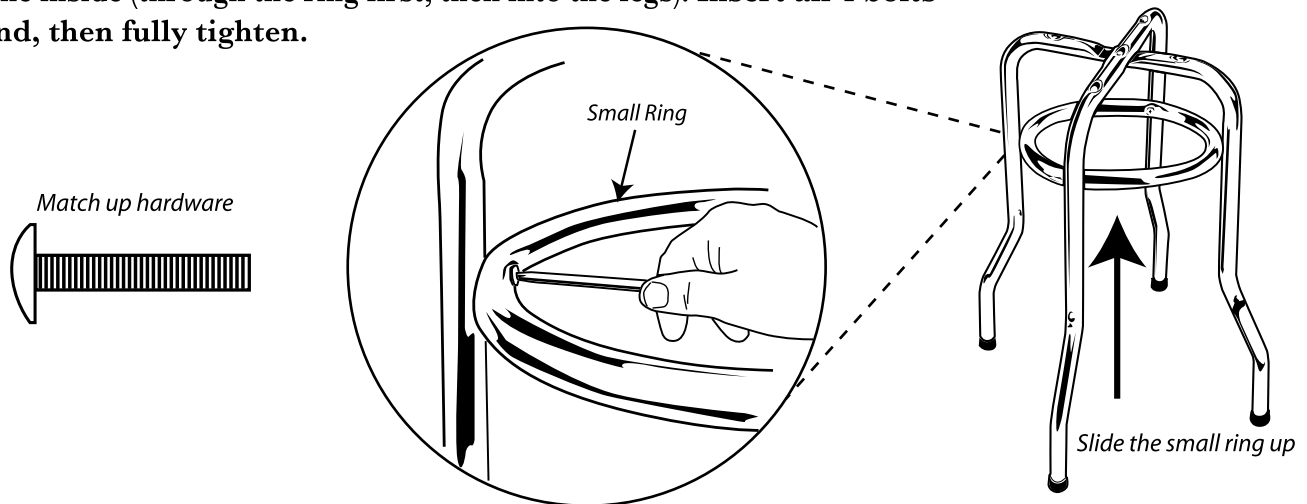
Match up hardware with diagrams shown below

Description and Size	Qty
 Nylon Lock Nut	9
 Carriage Bolt	1
 Medium Size Bolt	12
 Long Size Bolt	4

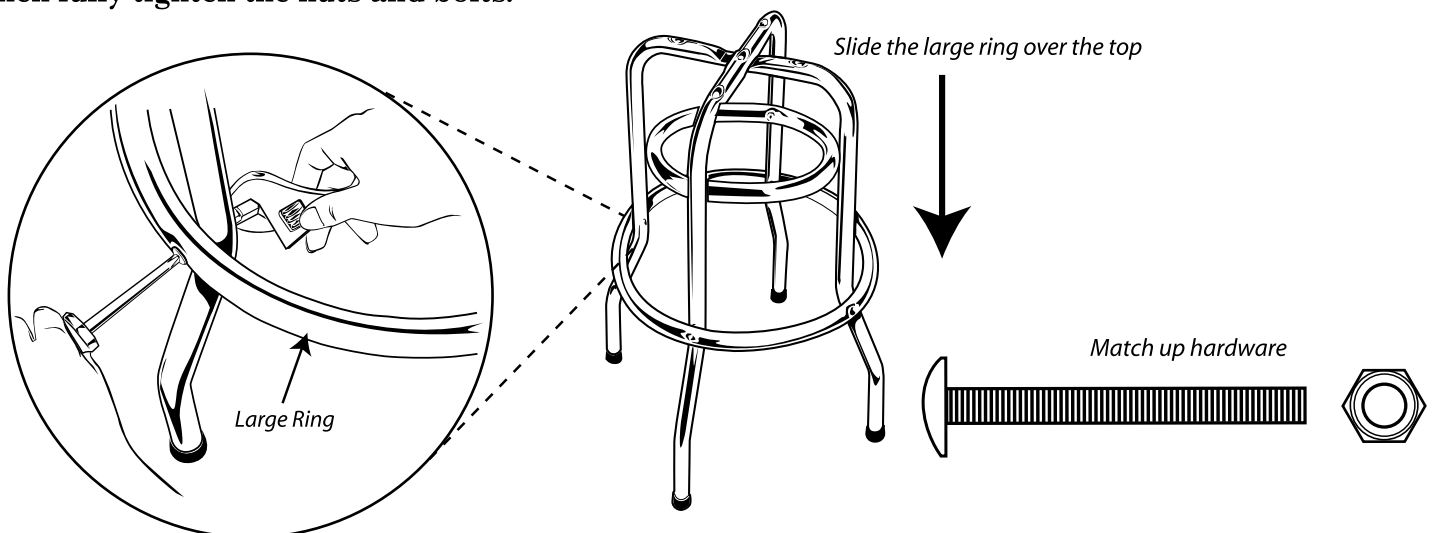
STEP 1: Stand bottom leg on the floor and set the top leg over it, perpendicular to the bottom leg. Insert carriage bolt through the top and attach nut as shown below.



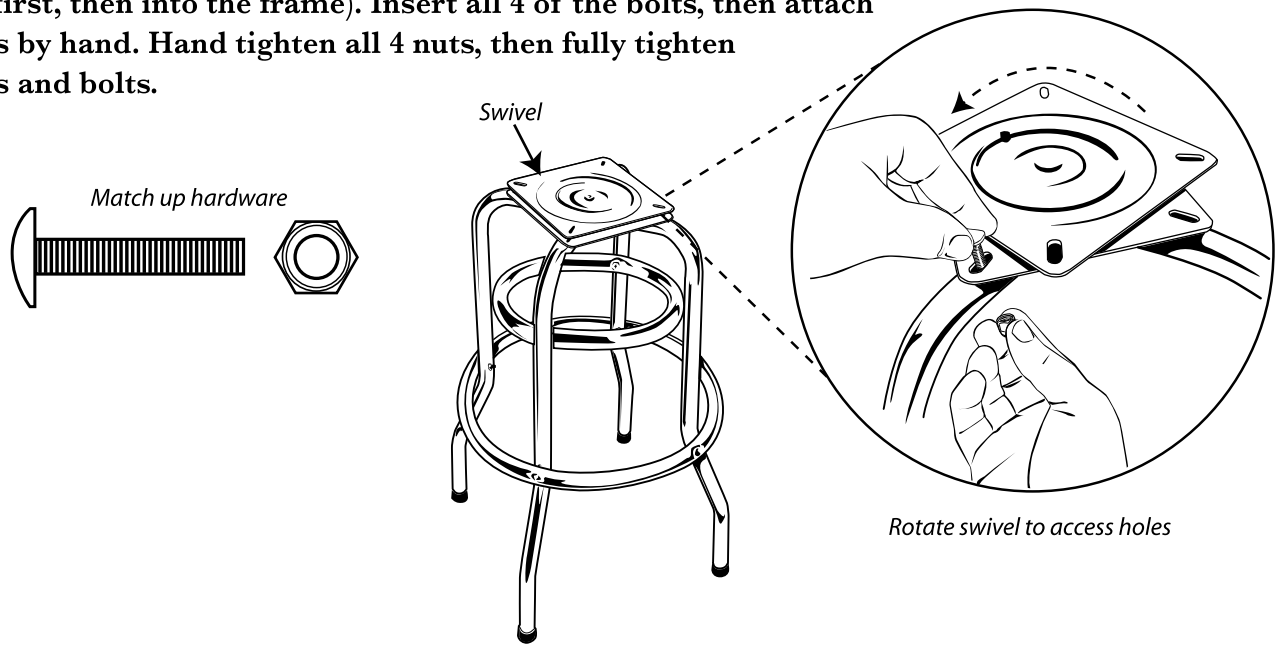
STEP 2: Slide the small ring up under the legs and align the screw holes. Insert the medium size bolts from the inside (through the ring first, then into the legs). Insert all 4 bolts by hand, then fully tighten.



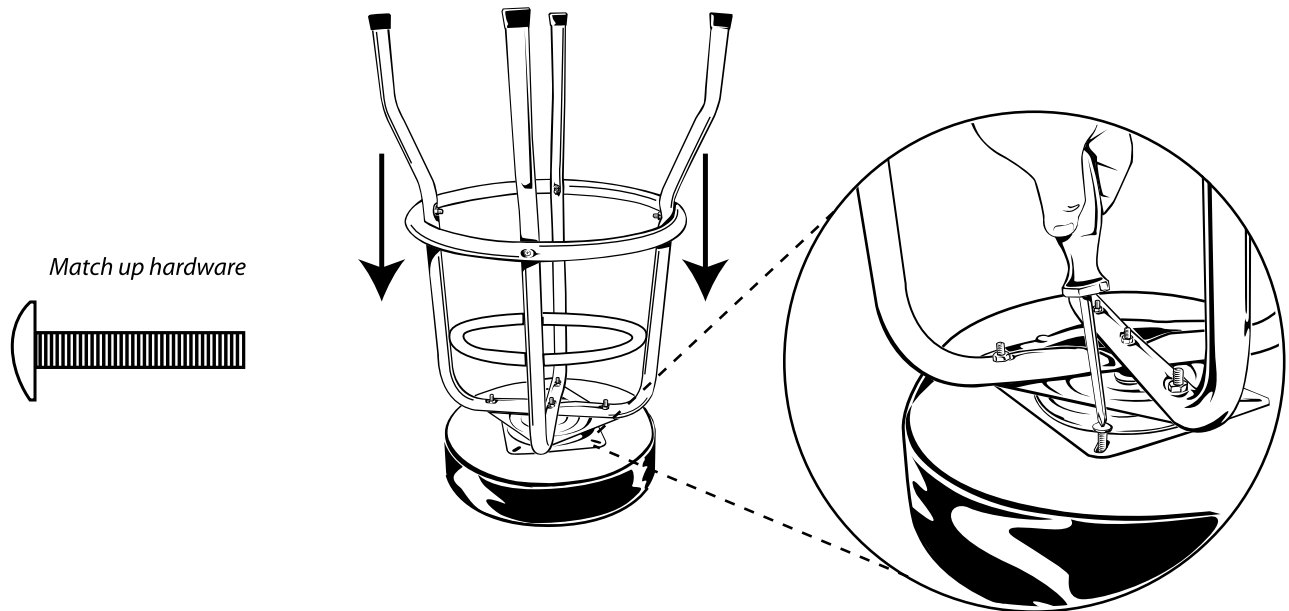
STEP 3 : Slide the large ring over the top of the legs and align the screw holes. Insert the long size bolts from the outside (through the ring first, then through the legs). Insert all 4 bolts and nuts by hand, then fully tighten the nuts and bolts.



STEP 4: Set the swivel on the top of the finished frame. Align the bottom set of holes (the side closest to the frame) with the holes in the frame. Insert the medium size bolts from the top (through the swivel first, then into the frame). Insert all 4 of the bolts, then attach the nuts by hand. Hand tighten all 4 nuts, then fully tighten the nuts and bolts.



STEP 5: Place the top of frame swivel assembly onto the seat bottom, and align the holes. Insert all 4 bolts (smaller size) part way, then fully tighten. Set your Bar Stool right side up and enjoy!



Warranty:

Free replacement of any part that fails within one year from day of manufacture, excluding shipping costs. Void if damaged by misuse, accidents, alterations, failure to follow instructions, fire, flood, and acts of God.

If you have any questions or comments, please contact us at:

BrandedProducts.com

JACK DANIEL'S and OLD NO. 7 are registered trademarks used under license to Ace Product Management Group, Inc. ©2007 Jack Daniel's. All rights reserved.

*Your Friends at Jack Daniel's remind you to drink responsibly.
For Sale to Adults of Legal Drinking Age.*

Ace Product Management Group, Inc.
Milwaukee, WI U.S.A.