
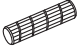






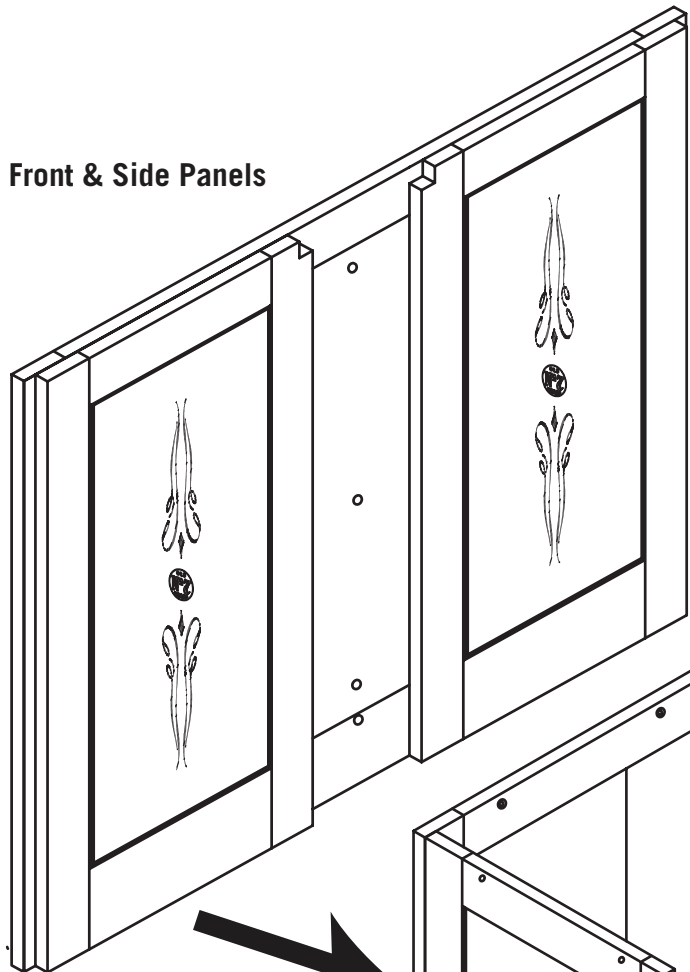
Congratulations on your purchase of a Jack Daniel's® Wood Bar. The utmost care has gone into the design and manufacturing of this product. **Please read these instructions carefully.**



HARDWARE LIST

PARTS	DESCRIPTION		QTY.
A		L Bracket 20 x 20 x 2mm	2
B		Wood Dowel 8 x 30 x 2mm	18
C		Plastic Bracket 18 x 15 x 10mm	20
D		Screw #8 x 1"	36
E		Screw #8 x 1/2"	8
F		Screw #8 x 1-1/2"	2

Front & Side Panels

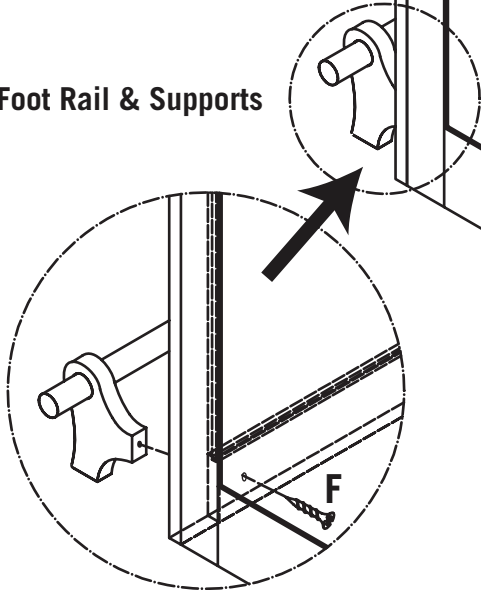


STEP 1: Assemble the front and side panels.

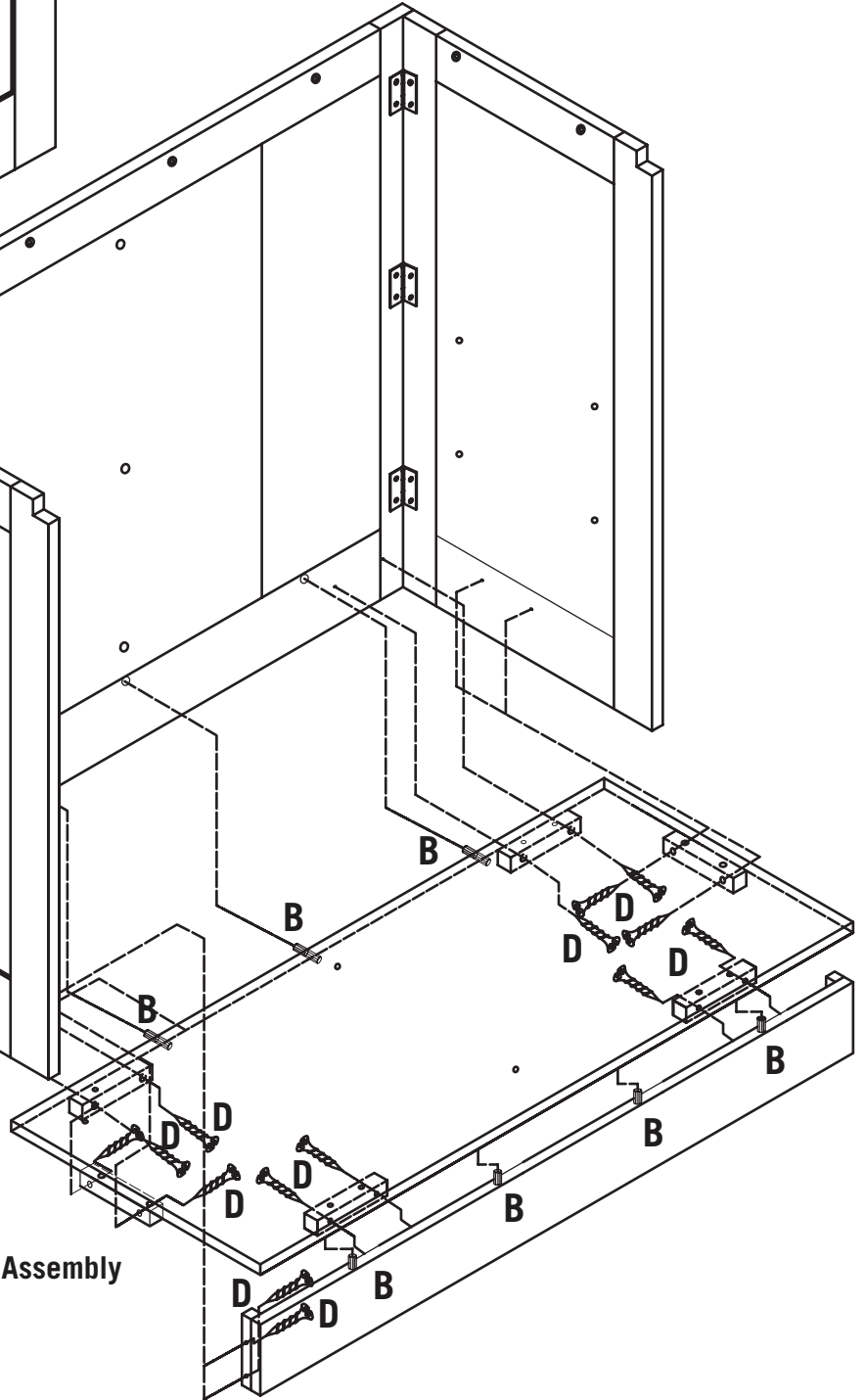
STEP 2: Assemble the foot rail and supports to the front panel.

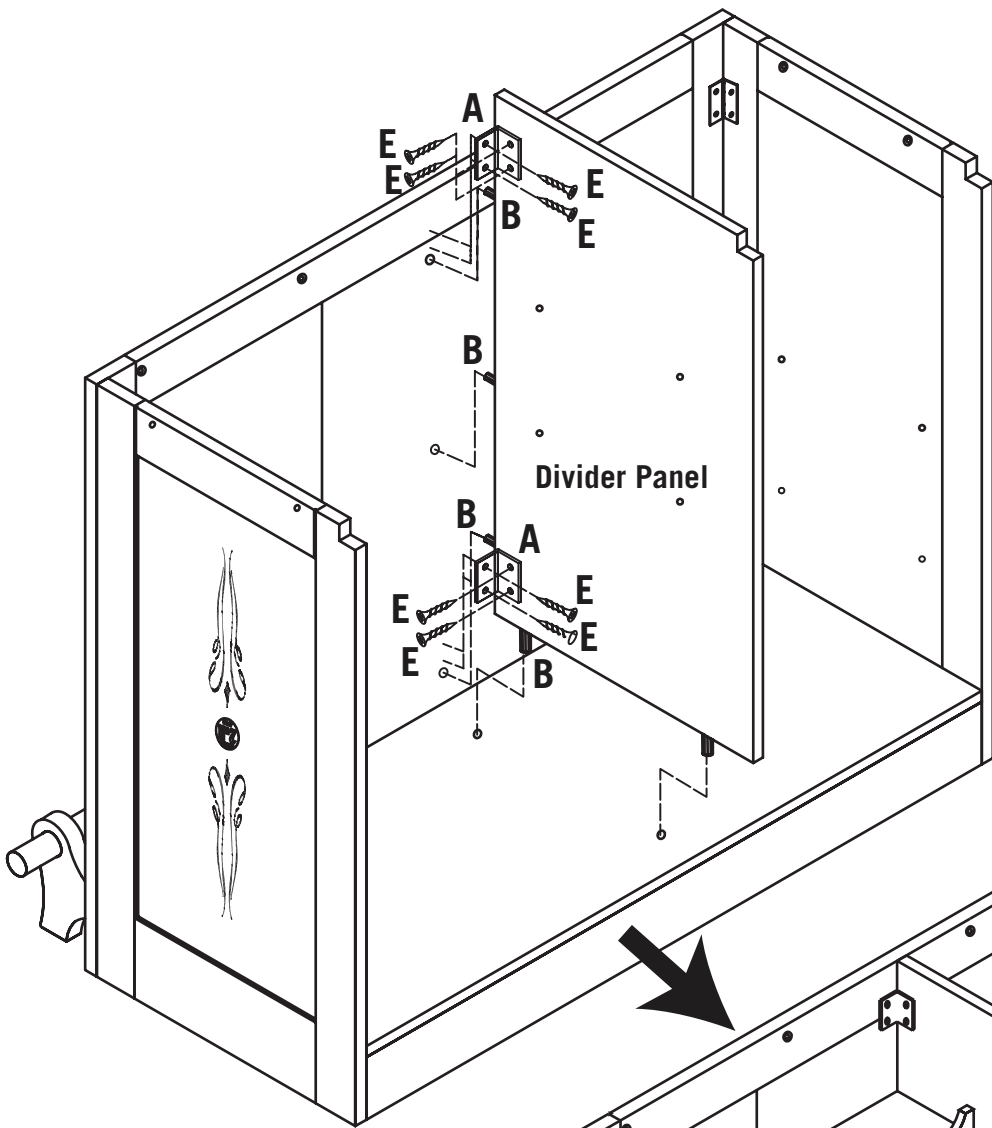
STEP 3: Attach the assembled panels onto the base.

Foot Rail & Supports



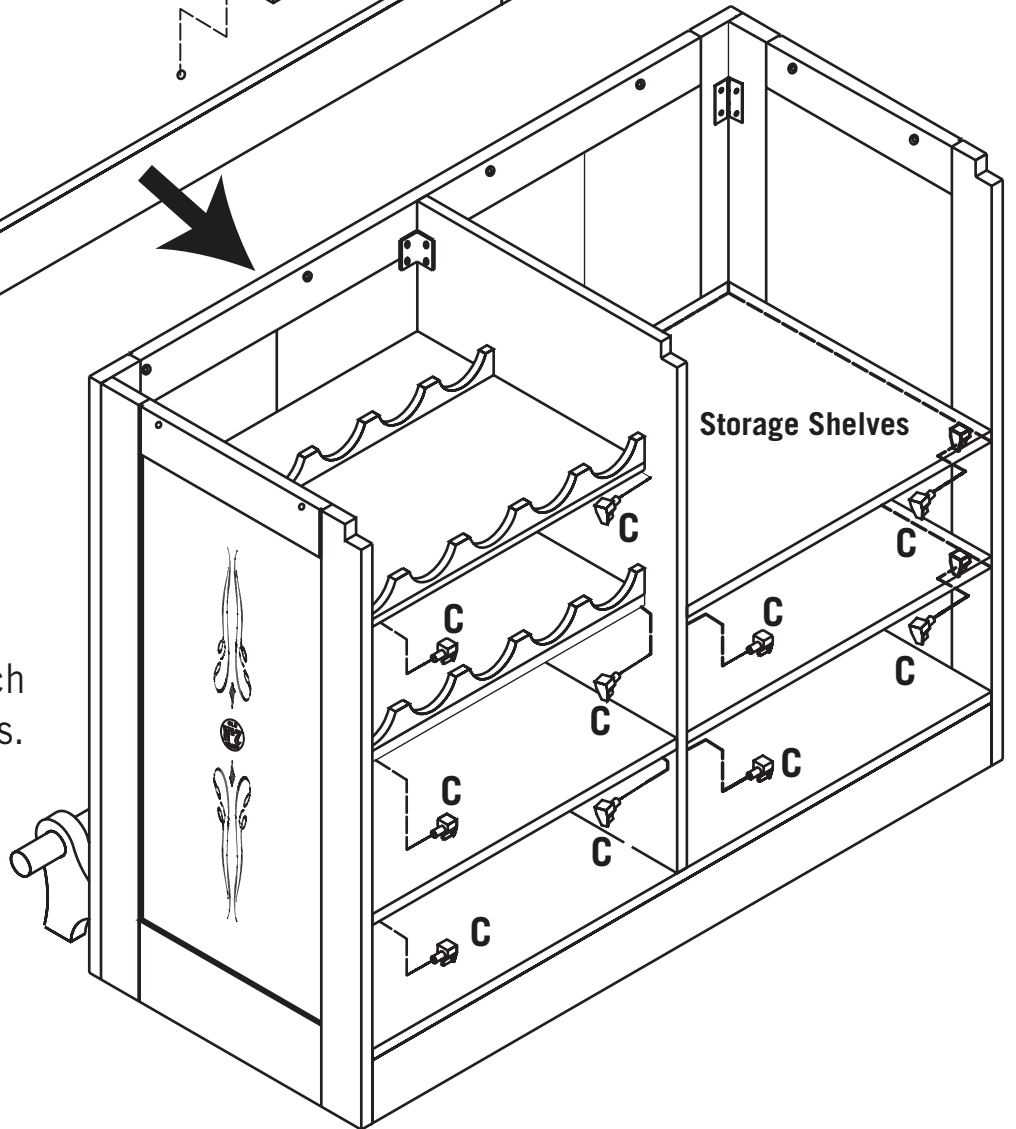
Base Assembly

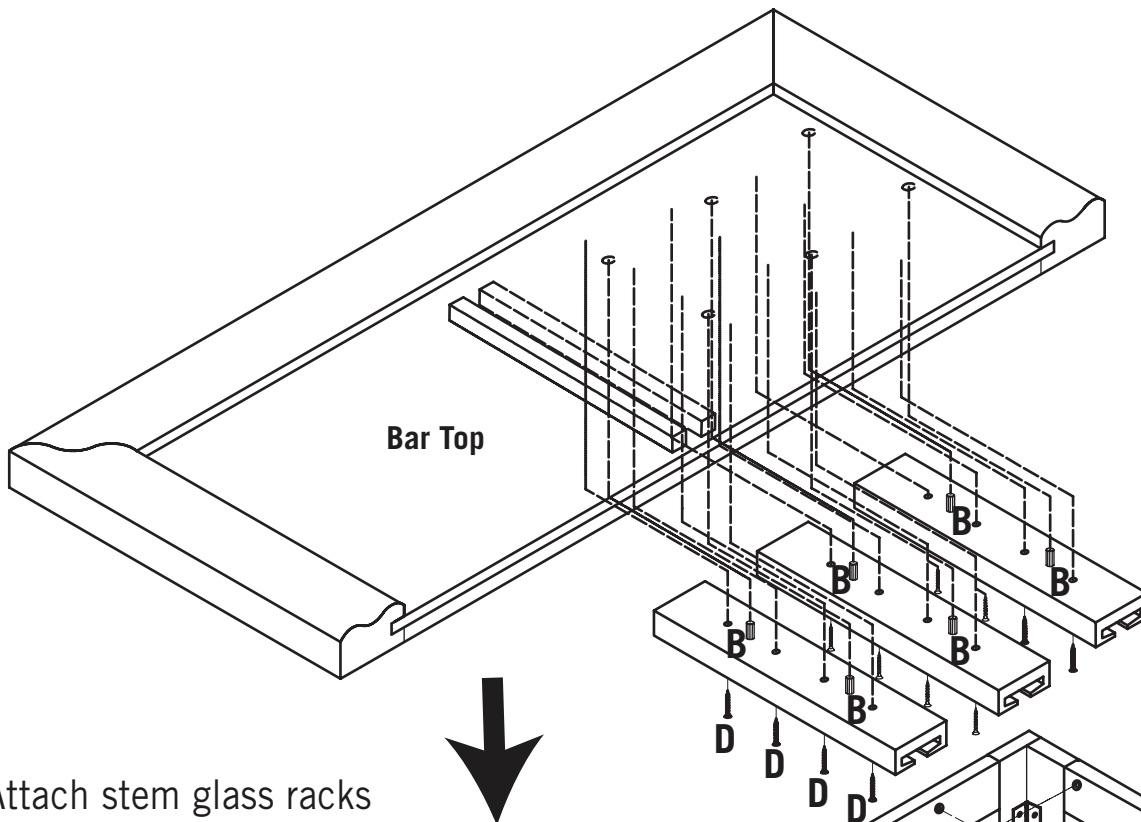




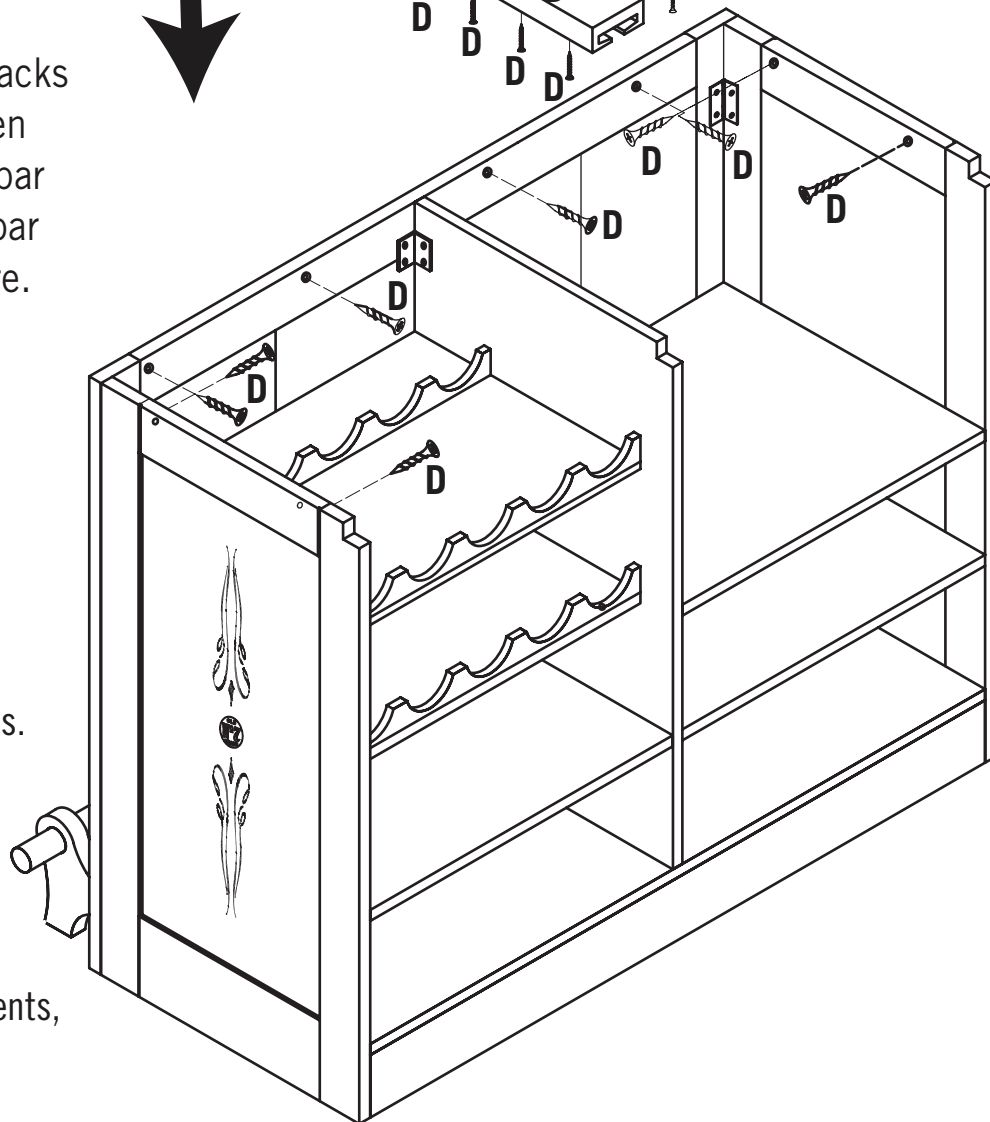
STEP 4: Attach the center divider panel.

STEP 5: Install the plastic brackets and attach the storage shelves.





STEP 6: Attach stem glass racks onto the bar top then carefully lower the bar top down onto the bar assembly and secure.



Warranty:

Free replacement of any part that fails within one year from date of purchase, excluding shipping costs. Void if damaged by misuse, accidents, alterations, failure to follow instructions, fire, flood, and acts of God.

If you have any questions or comments, please contact us at:

BrandedProducts.com